



Storm Screen Type PAS

The BIOGEST® Storm Screen ensures high performance screening during periods of heavy rainfall. The solid retention system is installed at overflow weirs and can easily be retrofitted in existing structures.

The system retains floating matter and sediments efficiently and protects the environment from pollution (without brushes, scrapers, rakes etc).

Functionality

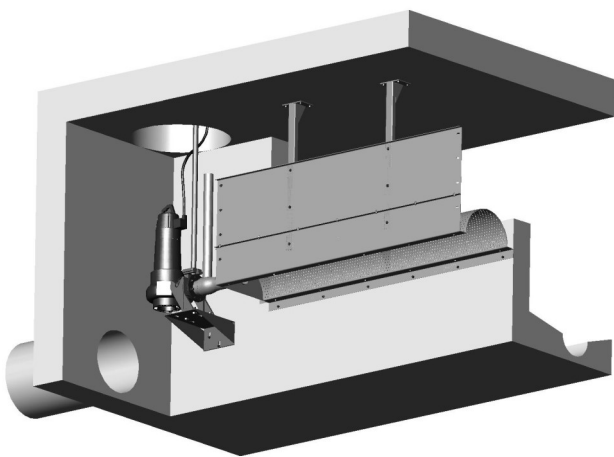
The BIOGEST® Storm Screen ensures high performance screening during periods of heavy rainfall. The solid retention system is installed at overflow weirs and can easily be retrofitted in existing structures. The system retains floating matter and sediments efficiently, protecting the environment from pollution.

The system can be adapted to suit site-specific applications and project requirements. Applications are all combined and stormwater overflow buildings.

The BIOGEST® Storm Screen Type PAS is installed at the overflow weir before the weir. The storm water flows through the screen vertically from bottom to top, while the floating and suspended matter will be efficiently retained.

It consists of a perforated semicircle filtering basket, with holes of 6 mm diameter, an ejector nozzle, mixing pipe and a pump.

It is kept clean by using a pump and venturi arrangement that introduces air-water mixture into the liquid under the screen basket. The screened water flows over the overflow weir and can be released towards the forwarding water flow.



Technical data

Screen basket diameter	mm	300– 500
Flow rate	l / s	Up to 1.900 per system
Screen basket length	mm	- 4.000 (standard)
Max. frame width	mm	400 - 650
Opening size	mm	6 (5 - 8 possible)
Power	kW	3,5 - 5



The advantages

- ◆ No moving parts for the cleaning
- ◆ Thorough cleaning of the screen surface by flushing effect
- ◆ Forwarding of extracted screening material to the WWTP
- ◆ Easy retrofitting through existing manhole and on existing overflow weirs
- ◆ Fully automatic operation by the integrated control and monitoring of the water level
- ◆ Robust stainless-steel construction with minimal maintenance
- ◆ Low-wear operation of the screen due to non-contact cleaning
- ◆ No fragmentation of the solids
- ◆ Performance 6 mm (other sizes on request)